

ROBOTICS

Product manual, spare parts

IRB 910SC



Trace back information:
Workspace 20A version a6
Checked in 2020-03-05
Skribenta version 5.3.033

Product manual, spare parts

IRB 910SC-3/0.45

IRB 910SC-3/0.55

IRB 910SC-3/0.65

IRC5

Document ID: 3HAC056433-001

Revision: G

The information in this manual is subject to change without notice and should not be construed as a commitment by ABB. ABB assumes no responsibility for any errors that may appear in this manual.

Except as may be expressly stated anywhere in this manual, nothing herein shall be construed as any kind of guarantee or warranty by ABB for losses, damages to persons or property, fitness for a specific purpose or the like.

In no event shall ABB be liable for incidental or consequential damages arising from use of this manual and products described herein.

This manual and parts thereof must not be reproduced or copied without ABB's written permission.

Keep for future reference.

Additional copies of this manual may be obtained from ABB.

Original instructions.

© Copyright 2016-2020 ABB. All rights reserved.
Specifications subject to change without notice.

Table of contents

Overview of this manual	7
1 Spare parts and exploded views	9
1.1 Spare parts - electrical parts	9
1.2 Spare parts - upper arm	13
1.3 Spare parts - lower arm	17
1.4 Spare parts - base	18
1.5 Spare parts - drive units	19
1.6 Spare parts - information labels	20

This page is intentionally left blank

Overview of this manual

About this manual

This manual contains spare parts for:

- IRB 910SC and all its variants.

Usage

This manual shall be used as a complement to the product manual for IRB 910SC during:

- maintenance work
- repair work.

Who should read this manual?

This manual is intended for:

- maintenance personnel
- repair personnel.

Prerequisites

A maintenance/repair/installation craftsman working with an ABB Robot must:

- be trained by ABB and have the required knowledge of mechanical and electrical installation/repair/maintenance work.

Organization of chapters

The manual is organized in the following chapters:

Chapter	Contents
Spare parts and exploded views	Complete spare part list and complete list of robot components shown in exploded views.

References

Documentation referred to in the manual, is listed in the table below.

Document name	Document ID
<i>Product manual - IRB 910SC</i>	3HAC056430-001
<i>Circuit diagram - IRB 910SC</i>	3HAC056159-002

Revisions

Revision	Description
-	First edition.
A	Spare part numbers of base and lifting label have been changed.
B	Published in release R16.2. The following updates are done in this revision: <ul style="list-style-type: none"> • Spare part item for the fixing calibration block of axes 3 and 4 removed and related spare part illustration updated. See Upper arm parts - body, covers, mechanical stop on page 13. • R3.CP/CS connector set removed.

Continues on next page

Revision	Description
C	Published in release R17.1. The following updates are done in this revision: <ul style="list-style-type: none">• The spare part number of the lower cover of the upper arm is changed from 3HAC055203-001 to 3HAC060106-001.• Upper and lower axis-3 and axis-4 stop blocks of the ball screw spline unit are added as spare parts.
D	Published in release R17.2. The following updates are done in this revision: <ul style="list-style-type: none">• Minor editorial changes.
E	Published in release R18.1. The following updates are done in this revision: <ul style="list-style-type: none">• Spare part UL label (3HAC037252-001) is removed and related information label illustration is updated.
F	Published in release R18.2. The following updates are done in this revision: <ul style="list-style-type: none">• Spare part brake release harness is added.
G	Published in release 20A. The following updates are done in this revision: <ul style="list-style-type: none">• Spare part AbsAcc label (3HAC14257-1) is added and related information label illustration is updated.

1 Spare parts and exploded views

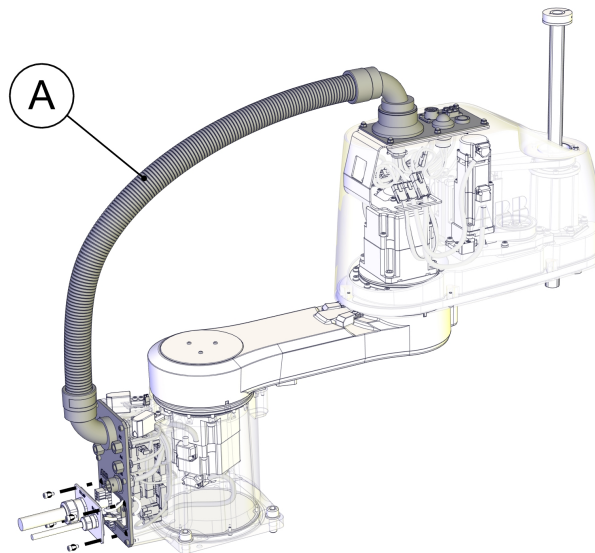
1.1 Spare parts - electrical parts

Main cable parts

Spare part list

	Spare part number	Description	IRB 910SC		
			3/0.45	3/0.55	3/0.65
A	3HAC056165-001	Main cable, 450 mm	X		
	3HAC056080-001	Main cable, 550 mm		X	
	3HAC056166-001	Main cable, 650 mm			X

Spare part illustration



xx1500002685

Control cable parts

Spare part list

	Spare part number	Description	IRB 910SC		
			3/0.45	3/0.55	3/0.65
A	3HAC057784-001	Power floor cable, 3 m	X	X	X
	3HAC057785-001	Power floor cable, 7 m	X	X	X
	3HAC057786-001	Power floor cable, 15 m	X	X	X

Continues on next page

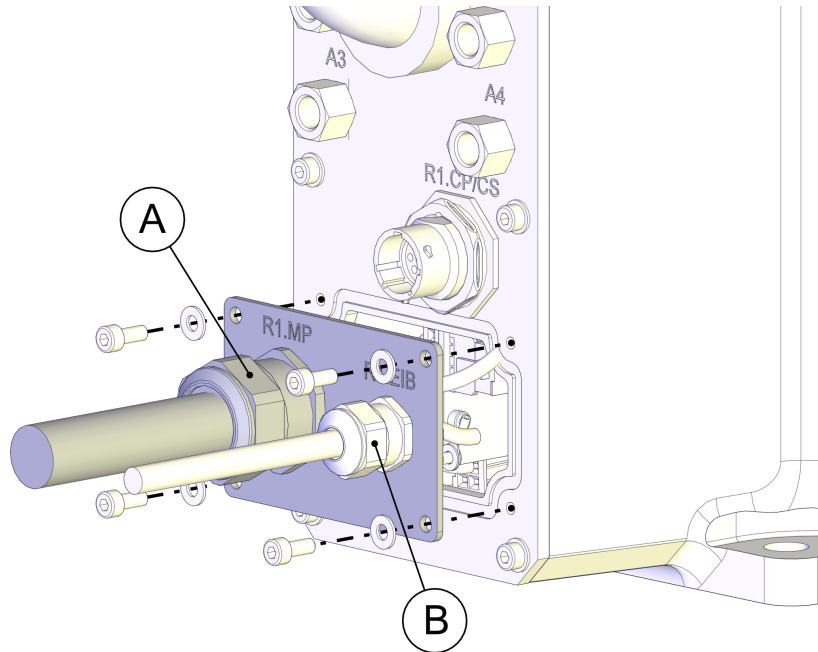
1 Spare parts and exploded views

1.1 Spare parts - electrical parts

Continued

	Spare part number	Description	IRB 910SC		
			3/0.45	3/0.55	3/0.65
B	3HAC057787-001	Signal floor cable, 3 m	X	X	X
	3HAC057788-001	Signal floor cable, 7 m	X	X	X
	3HAC057789-001	Signal floor cable, 15 m	X	X	X

Spare part illustration



xx1500002686

Cable harness parts

Spare part list

	Spare part number	Description	IRB 910SC		
			3/0.45	3/0.55	3/0.65
A	3HAC056703-001	EIB connection cable	X	X	X
B	3HAC045759-001	EIB unit	X	X	X
C	3HAC051036-001	Battery pack	X	X	X
D	3HAC057687-001	PCB board	X	X	X
E	3HAC055165-001	EIB mounting plate	X	X	X
-	3HAC037038-001	R1.CP/CS connector set	X	X	X
-	3HAC037070-001	R3.CP/CS connector set	X	X	X

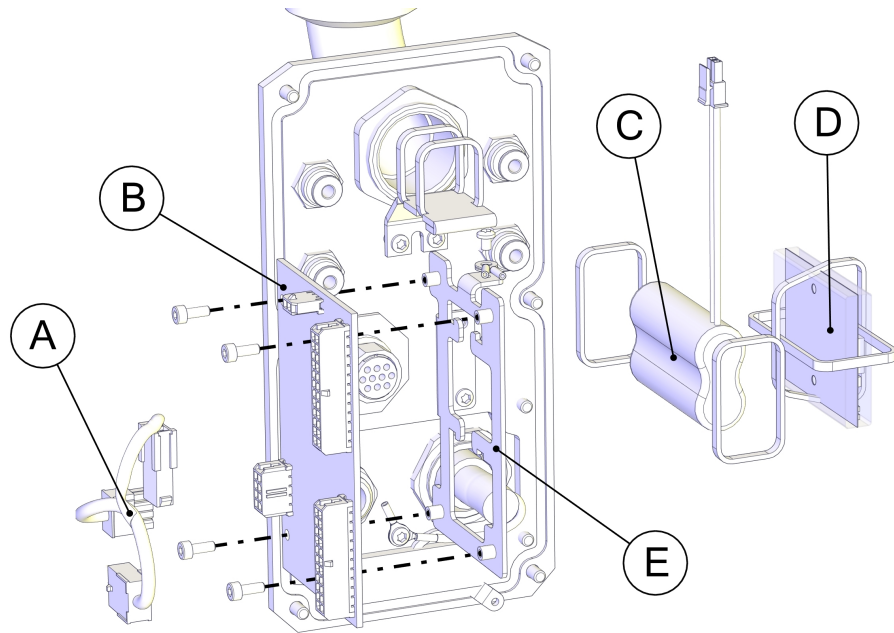
Continues on next page

1 Spare parts and exploded views

1.1 Spare parts - electrical parts

Continued

Spare part illustration



xx1500002687

Brake release harness parts

Spare part list

	Spare part number	Description	IRB 910SC		
			3/0.45	3/0.55	3/0.65
A	3HAC038361-001	Brake release harness Includes brake release button and harness.	X	X	X

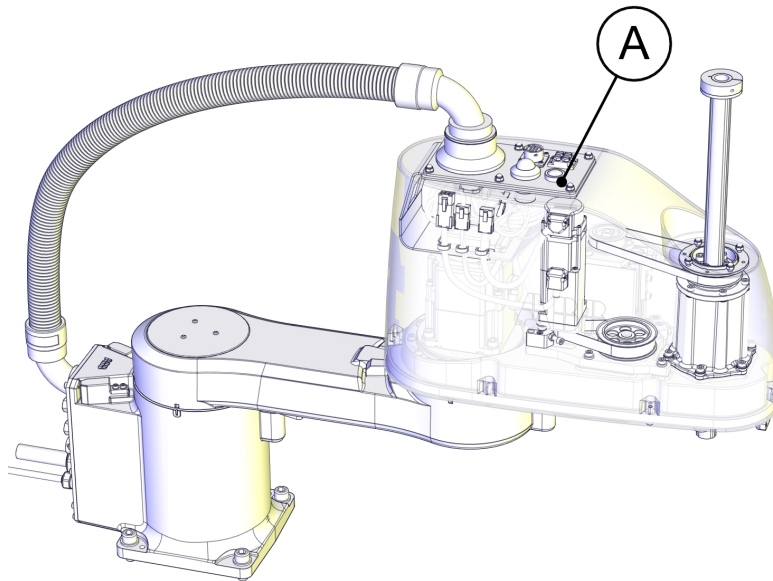
Continues on next page

1 Spare parts and exploded views

1.1 Spare parts - electrical parts

Continued

Spare part illustration



xx1800001441

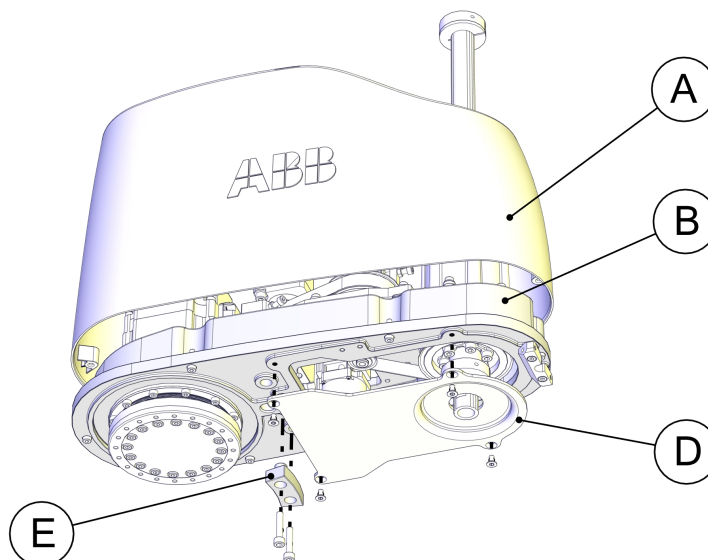
1.2 Spare parts - upper arm

Upper arm parts - body, covers, mechanical stop

Spare part list

	Spare part number	Description	IRB 910SC		
			3/0.45	3/0.55	3/0.65
A	3HAC057615-001	Upper cover unit	X	X	X
B	3HAC057711-001	Upper arm body	X	X	X
D	3HAC060106-001	Lower cover	X	X	X
E	3HAC055185-001	Axis-2 mechanical stop block	X	X	X

Spare part illustration



xx1500002688

Upper arm parts - Cable plate, ball screw spline unit, axis-2 drive unit

Spare part list

	Spare part number	Description	IRB 910SC		
			3/0.45	3/0.55	3/0.65
A	3HAC056086-001	Plate for upper arm cable harness	X	X	X
B	3HAC056153-001	Axis-2 drive unit	X	X	X
C	3HAC061259-001	Upper axis-3 and axis-4 mechanical stop block	X	X	X
D	3HAC056148-001	Ball screw spline unit	X	X	X

Continues on next page

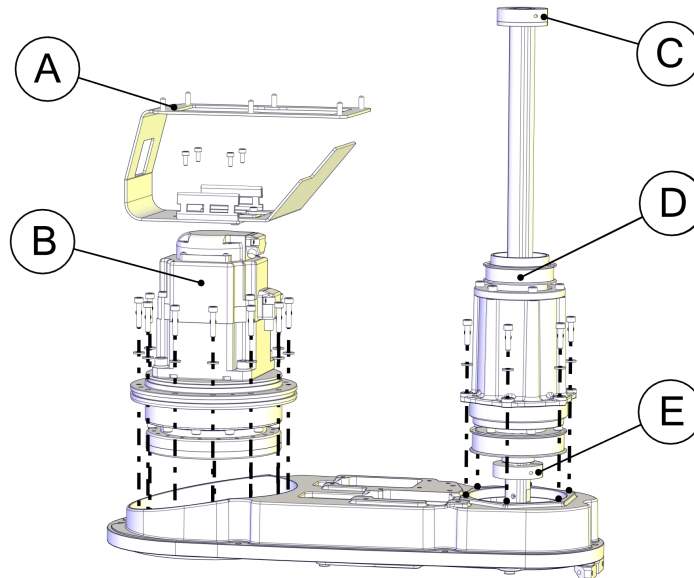
1 Spare parts and exploded views

1.2 Spare parts - upper arm

Continued

	Spare part number	Description	IRB 910SC		
			3/0.45	3/0.55	3/0.65
E	3HAC055208-001	Lower axis-3 and axis-4 mechanical stop block	X	X	X

Spare part illustration



xx1500002689

Upper arm parts - Axis-3 drive unit parts

Spare part list

	Spare part number	Description	IRB 910SC		
			3/0.45	3/0.55	3/0.65
A	3HAC055209-001	Axis-3 timing belt	X	X	X
B	3HAC056111-001	Axis-3 drive unit	X	X	X
C	3HAC056650-001	Adjusting block for axis-3 timing belt	X	X	X
D	3HAC056937-001	Plain washer	X	X	X
E	3HAC055184-001	Axis-3 drive unit housing	X	X	X

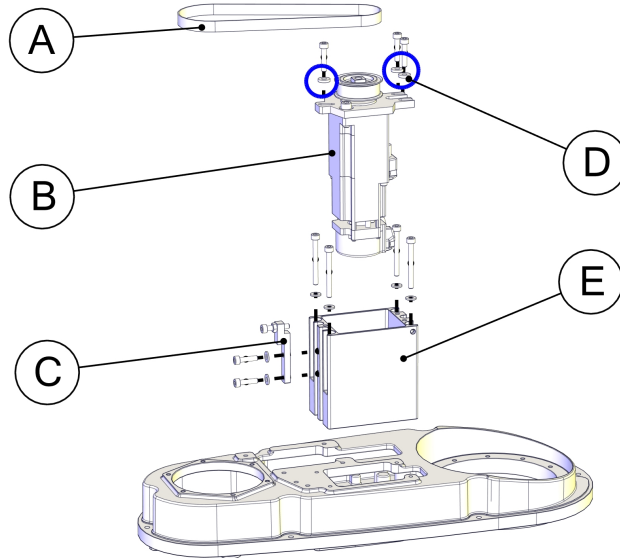
Continues on next page

1 Spare parts and exploded views

1.2 Spare parts - upper arm

Continued

Spare part illustration



xx1500002690

Upper arm parts - Axis-4 drive unit parts

Spare part list

	Spare part number	Description	IRB 910SC		
			3/0.45	3/0.55	3/0.65
A	3HAC056112-001	Axis-4 drive unit	X	X	X
B	3HAC056121-001	Axis-4 housing with idler	X	X	X
C	3HAC056651-001	Adjusting block for upper axis-4 timing belt	X	X	X
D	3HAC056937-001	Plain washer	X	X	X
E	3HAC055206-001	Upper axis-4 timing belt	X	X	X
F	3HAC056652-001	Adjusting block for lower axis-4 timing belt	X	X	X
G	3HAC055201-001	Lower axis-4 timing belt	X	X	X

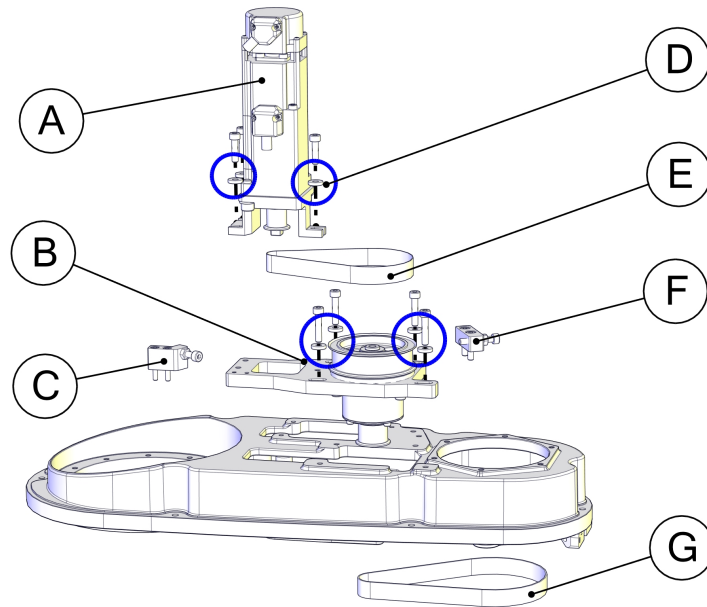
Continues on next page

1 Spare parts and exploded views

1.2 Spare parts - upper arm

Continued

Spare part illustration



xx1500002691

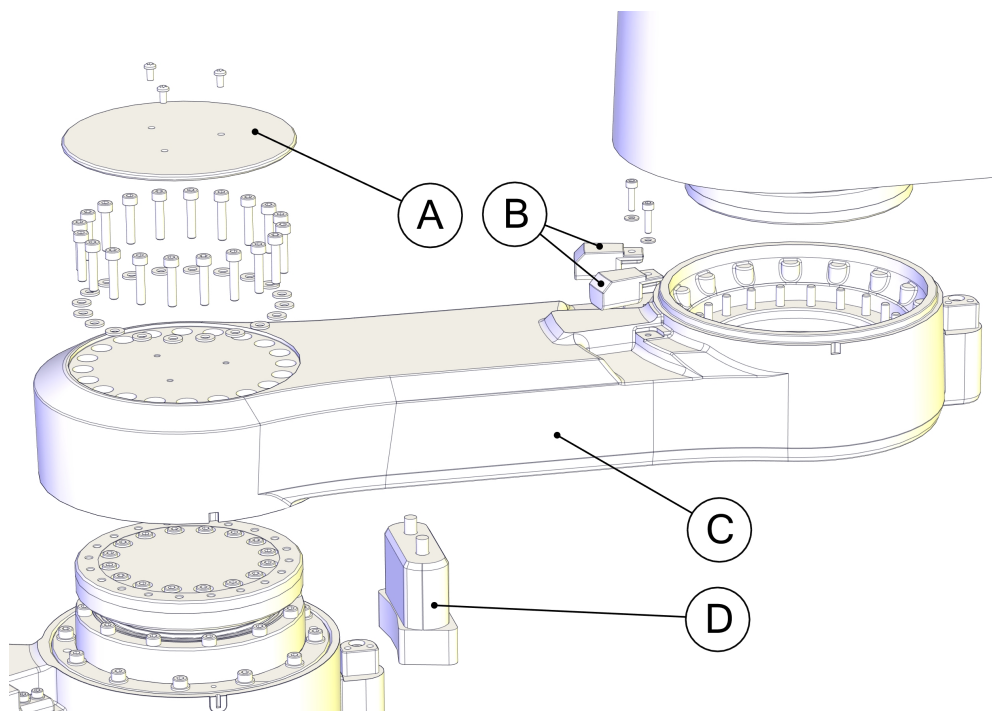
1.3 Spare parts - lower arm

Lower arm parts

Spare part list

	Spare part number	Description	IRB 910SC		
			3/0.45	3/0.55	3/0.65
A	3HAC056065-001	Lower arm cover	X	X	X
B	3HAC056017-001	Axis-2 mechanical stop rubber	X	X	X
C	3HAC057609-001	Lower arm, 450 mm	X		
	3HAC057612-001	Lower arm, 550 mm		X	
	3HAC057613-001	Lower arm, 650 mm			X
D	3HAC055164-001	Axis-1 mechanical stop block	X	X	X

Spare part illustration



xx1500002692

1 Spare parts and exploded views

1.4 Spare parts - base

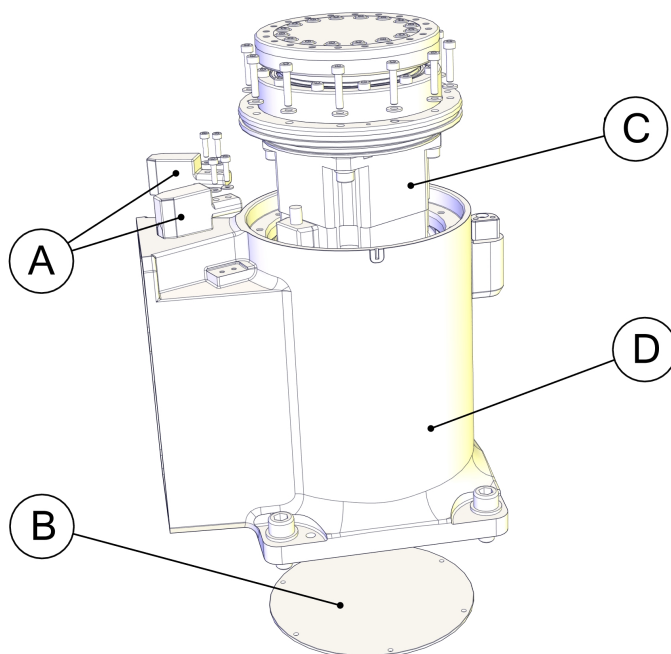
1.4 Spare parts - base

Base parts

Spare part list

	Spare part number	Description	IRB 910SC		
			3/0.45	3/0.55	3/0.65
A	3HAC056042-001	Axis-1 mechanical stop rubber	X	X	X
B	3HAC055216-001	Base bottom cover	X	X	X
C	3HAC055900-001	Axis-1 drive unit	X	X	X
D	3HAC057614-001	Base	X	X	X

Spare part illustration



1.5 Spare parts - drive units

Axis-1 drive unit

The axis-1 drive unit is illustrated in the whole base assembly, see [Spare parts - base on page 18](#).

Axis-2 drive unit

The axis-2 drive unit is illustrated in the upper arm assembly, see [Upper arm parts - Cable plate, ball screw spline unit, axis-2 drive unit on page 13](#).

Axis-3 drive unit

The axis-3 drive unit is illustrated in the upper arm assembly, see [Upper arm parts - Axis-3 drive unit parts on page 14](#).

Axis-4 drive unit

The axis-4 drive unit is illustrated in the upper arm assembly, see [Upper arm parts - Axis-4 drive unit parts on page 15](#).

1 Spare parts and exploded views

1.6 Spare parts - information labels

1.6 Spare parts - information labels

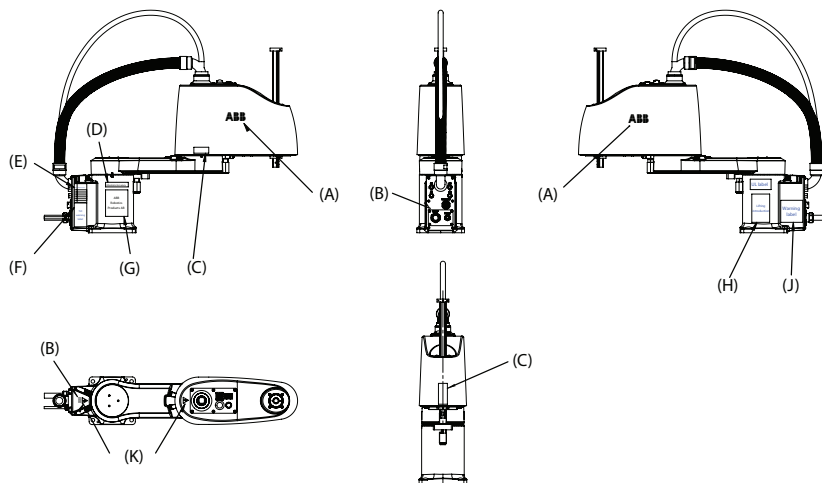
Information labels

Spare part list

	Spare part number	Description	IRB 910SC		
			3/0.45	3/0.55	3/0.65
A	3HAC0453-2	ABB logo, large size	X	X	X
B	3HAC0453-6	ABB logo, small size	X	X	X
C	3HAC057089-001	Calibration mark (axis 2)	X	X	X
	3HAC057090-001	Calibration mark (axis 3 and axis 4)	X	X	X
D	3HAC14257-1	AbsAcc label	X	X	X
E	3HAC13488-1	Calibration label	X	X	X
F	3HAC057068-001	Warning label Risk of tipping	X	X	X
G	3HAB9549-1	Rating label	X	X	X
H	3HAC058299-001	Lifting label	X	X	X
J	3HAC057070-001	Instruction label	X	X	X
K	3HAC1589-1	Warning sign Electrical shock	X	X	X

Spare part illustration

The figure shows all labels included in the labels and plate set.



xx1800000345



ABB AB, Robotics

Robotics and Motion

S-721 68 VÄSTERÅS, Sweden

Telephone +46 (0) 21 344 400

ABB AS, Robotics

Robotics and Motion

Nordlysvegen 7, N-4340 BRYNE, Norway

Box 265, N-4349 BRYNE, Norway

Telephone: +47 22 87 2000

ABB Engineering (Shanghai) Ltd.

Robotics and Motion

No. 4528 Kangxin Highway

PuDong District

SHANGHAI 201319, China

Telephone: +86 21 6105 6666

ABB Inc.

Robotics and Motion

1250 Brown Road

Auburn Hills, MI 48326

USA

Telephone: +1 248 391 9000

abb.com/robotics